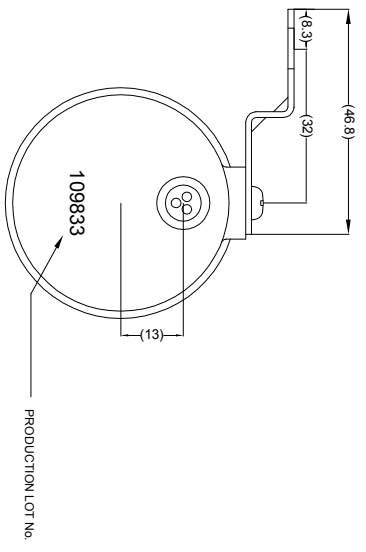
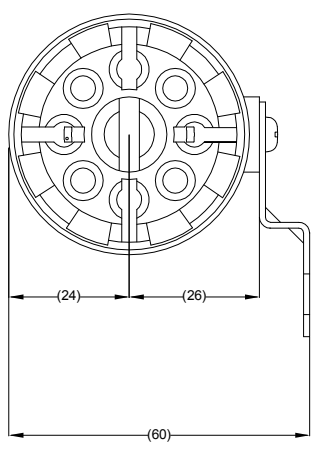
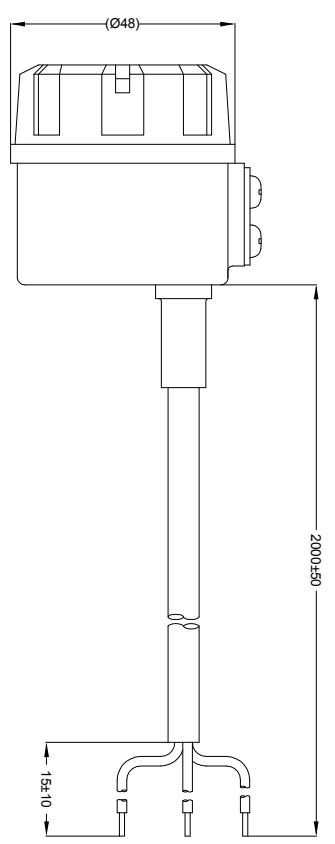
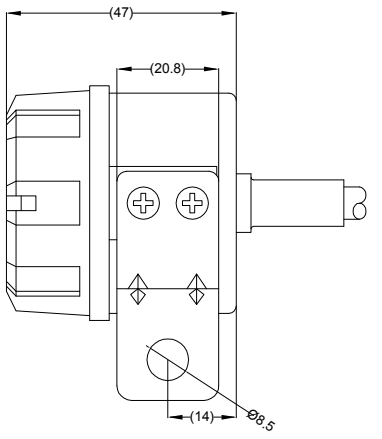


Revision Notes			
R1 - NOTES UPDATED TO INCLUDE LABEL DETAILS AS PER ECR CR-4274.			
AP: A: KIIDA	Drawn/RBATES	Checked/M BUTLER	Approved/GPLITH
			Date: 28/08/14



- SPECIFICATION:**
1. RATED VOLTAGE: 12-24VDC (WORKING VOLTAGE: 9 ~ 30 VDC)
  2. RATED CURRENT: 30mA
  3. SOUND PRESSURE: 90±6dB(A) AT RATED VOLTAGE (AS MEASURED AT A DISTANCE OF 1 METER AND AT A HEIGHT OF 1 METER FROM THE GROUND)
  4. FREQUENCY: 2400±300Hz
  5. INTERMITTENCE: 80±10 CYCLES PER MINUTE AT TEST VOLTAGE OF 14-28 VOLTS
  6. VIBRATION RESISTANCE: TO BE ABNORMALITY-FREE SUBJECT TO JIS D 1601 TO 6.8G
  7. WATER RESISTANCE: TO BE ABNORMALITY-FREE AS TESTED SUBJECT TO ITEM S1, JIS D 0203
  9. DURABILITY: CONSECUTIVE 200 HOURS AT TEST VOLTAGES

- NOTES:**
1. FOR PRODUCT LABEL REFER TO LATEST REVISION OF DRAWING BE-002833-XX-14.
  2. FOR GIFTBOX LABEL REFER TO LATEST REVISION OF DRAWING BE-002834-XX-14.
  3. "R TRIANGLE" INDICATES CHANGES MADE TO THE REVISION OF DRAWING AS IDENTIFIED IN NOTES.



**PROPRIETARY NOTICE**  
 THIS DESIGN AND TECHNICAL INFORMATION APPEARING ON THIS DRAWING IS THE PROPERTY OF BRIGADE ELECTRONICS, AND IS DISCLOSED IN CONFIDENCE. IT IS NOT TO BE COPIED, REPRODUCED, REVEALED TO OR EXPROPRIATED BY OTHERS, EITHER IN WHOLE OR IN PART WITHOUT THE EXPRESS WRITTEN CONSENT OF BRIGADE ELECTRONICS.

**BRIGADE®**  
 www.brigade-electronics.com

 Angle of Projection Third Angle	Assembly PI Approval KIIDA - 04/03/13		Approved by S.MATTHEWS		Checked by GPLITH		Drawn by RBATES	
	Status RELEASED		Scale N/A		Released 05/03/13		Assembly Ref BA-57TCA-2	
Part No 0028		BE-002291-01-13						

